

B05 Metallized Polyester Film Capacitor - Mini Box

ROHS

FEATURES

Metallized Polyester Film Capacitor - Mini Box

High reliability.

Box type provides the identical outer appearance.



RATING AND CHARACTERISTIC

Climatic Category 55/100/56

Rated Temperature 85°C

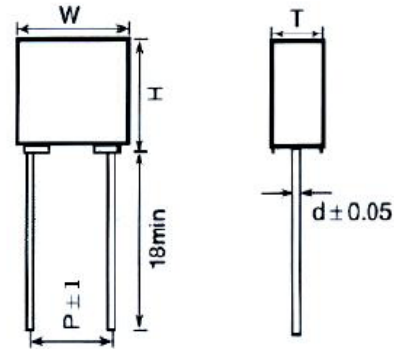
Operating Temperature Range -55°C~105°C

Rated Voltage 50V/63V, 100V, 250V, 400V, 500V, 630V

Capacitance Range 0.0010μF ~ 1.5μF

Capacitance Tolerance ±5%(J), ±10%(K), ±20%(M)

Voltage Proof Type A: 1.6UR (5s) ; Type B: 1.4UR (5s)



(μF)	50/63VDC			100VDC		
	W	H	T	W	H	T
0.10	--	--	--	7.2	6.5	2.5
0.12	--	--	--	7.2	6.5	2.5
0.15	7.2	6.5	2.5	7.2	7.5	3.5
0.18	7.2	6.5	2.5	7.2	7.5	3.5
0.22	7.2	6.5	2.5	7.2	7.5	3.5
0.27	7.2	6.5	2.5	7.2	9.5	4.5
0.33	7.2	7.5	3.5	7.2	9.5	4.5
0.39	7.2	7.5	3.5	7.2	9.5	4.5
0.47	7.2	7.5	3.5	7.2	10.0	5.0
0.56	7.2	9.5	4.5	7.2	10.0	5.0
0.68	7.2	9.5	4.5	7.2	11.0	6.0
0.82	7.2	9.5	4.5	7.2	11.0	6.0
1.0	7.2	10.0	5.0	7.2	11.0	6.0
1.5	7.2	11.0	6.0	--	--	--

* The spec is subject to change without notice. Please contact us if any further queries.